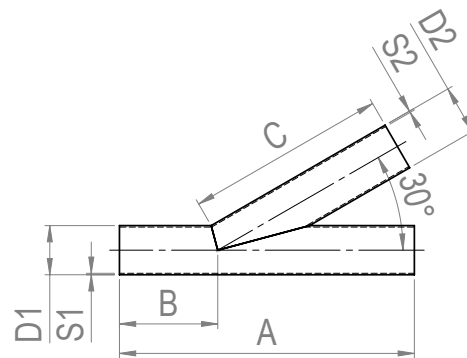


# Stainless steel branch pipes 30°

Material no. AISI 304 / AISI 304 L



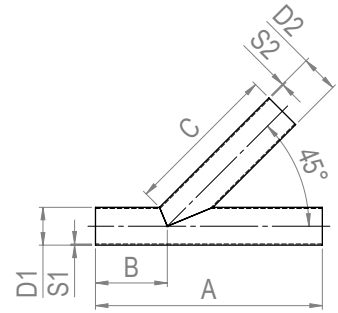
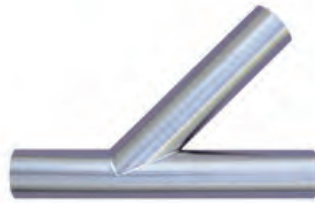
Stainless steel branch pipes 30°							
Angle	Diameter	Wall thickness	A	B	C	Weight	Article number
			all information in mm				
30°	38.0 mm	1.5 mm	300.0	106.0	210.0	0.64 kg	803813002
30°	40.0 mm	1.5 mm	300.0	110.0	210.0	0.67 kg	804013001
30°	40.0 mm	2.0 mm	300.0	105.0	209.0	0.88 kg	804013002
30°	45.0 mm	1.5 mm	300.0	104.0	210.0	0.75 kg	804513001
30°	50.0 mm	2.0 mm	300.0	100.0	204.0	1.07 kg	805013002
30°	50.0 mm	1.5 mm	300.0	100.0	210.0	0.82 kg	805013003
30°	54.0 mm	2.0 mm	300.0	100.0	208.0	1.16 kg	805413001
30°	60.3 mm	2.0 mm	350.0	106.0	210.0	1.43 kg	806013001
30°	63.5 mm	2.0 mm	400.0	145.0	261.0	1.80 kg	806313001
30°	65.0 mm	2.0 mm	400.0	145.0	260.0	1.84 kg	806513001
30°	65.0 mm	1.5 mm	400.0	145.0	260.0	1.39 kg	806513002
30°	70.0 mm	2.0 mm	450.0	140.0	280.0	2.20 kg	807013001
30°	76.1 mm	2.0 mm	410.0	140.0	260.0	2.16 kg	807613001
30°	80.0 mm	2.0 mm	500.0	145.0	348.0	2.94 kg	808013001
30°	84.0 mm	2.0 mm	420.0	120.0	300.0	2.55 kg	808413001
30°	85.0 mm	2.0 mm	570.0	200.0	345.0	3.38 kg	808513001
30°	88.9 mm	2.0 mm	480.0	130.0	338.0	3.10 kg	808813001
30°	100.0 mm	1.5 mm	550.0	185.0	351.0	2.89 kg	810013001
30°	101.6 mm	2.0 mm	550.0	185.0	350.0	3.89 kg	810113001
30°	104.0 mm	2.0 mm	550.0	200.0	366.0	4.05 kg	810413001
30°	129.0 mm	2.0 mm	700.0	223.0	450.0	6.34 kg	812913001
30°	139.7 mm	2.0 mm	650.0	160.0	481.0	6.66 kg	813913001
30°	154.0 mm	2.0 mm	650.0	160.0	479.0	7.22 kg	815413001
30°	204.0 mm	2.0 mm	at request				820413001
30°	206.0 mm	3.0 mm	at request				820613001

**Branch pipes up to diameter 254.0 mm - at request**

# Stainless steel branch pipes 45°

Material no. AISI 304 / AISI 304 L

**formgas welded  
at request**

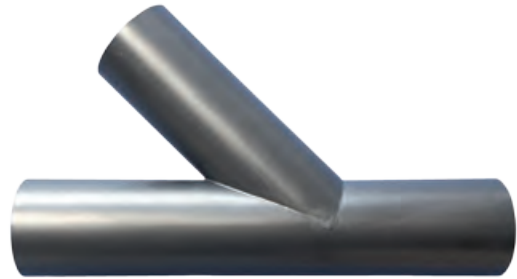
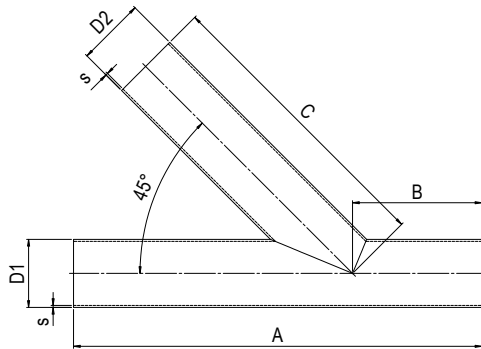


Stainless steel branch pipes 45°							
Angle	Diameter	Wall thickness	A	B	C	Weight	Article number
				all information in mm			
45°	38.0 mm	1.5 mm	300.0	103.0	206.0	0.65 kg	803814501
45°	40.0 mm	1.5 mm	300.0	115.0	207.0	0.69 kg	804014501
45°	40.0 mm	2.0 mm	300.0	115.0	207.0	0.91 kg	804014502
45°	45.0 mm	1.5 mm	300.0	101.0	205.0	0.77 kg	804514501
45°	50.0 mm	1.5 mm	300.0	95.0	205.0	0.85 kg	805014501
45°	50.0 mm	2.0 mm	300.0	95.0	185.0	1.08 kg	805014502
45°	54.0 mm	2.0 mm	300.0	95.0	209.0	1.22 kg	805414501
45°	60.3 mm	2.0 mm	350.0	100.0	210.0	1.51 kg	806014501
45°	60.3 mm	1.6 mm	350.0	100.0	210.0	1.21 kg	806014506
45°	63.5 mm	2.0 mm	350.0	145.0	220.0	1.61 kg	806314501
45°	65.0 mm	2.0 mm	350.0	145.0	220.0	1.65 kg	806514501
45°	65.0 mm	1.5 mm	350.0	145.0	220.0	1.24 kg	806514502
45°	70.0 mm	2.0 mm	400.0	105.0	285.0	2.15 kg	807014501
45°	76.1 mm	2.0 mm	410.0	140.0	260.0	2.28 kg	807614501
45°	80.0 mm	2.0 mm	400.0	140.0	240.0	2.27 kg	808014501
45°	80.0 mm	1.5 mm	400.0	140.0	240.0	1.71 kg	808014504
45°	84.0 mm	2.0 mm	370.0	75.0	240.0	2.25 kg	808414501
45°	85.0 mm	2.0 mm	520.0	200.0	283.0	3.07 kg	808514501
45°	88.9 mm	2.0 mm	420.0	130.0	282.0	2.77 kg	808814501
45°	100.0 mm	1.5 mm	450.0	150.0	300.0	2.50 kg	810014501
45°	101.6 mm	2.0 mm	450.0	150.0	300.0	3.37 kg	810114501
45°	104.0 mm	2.0 mm	500.0	170.0	300.0	3.69 kg	810414501
45°	108.0 mm	2.0 mm	500.0	170.0	278.0	3.71 kg	810814501
45°	114.3 mm	2.0 mm	550.0	200.0	325.0	4.45 kg	811414501
45°	129.0 mm	2.0 mm	600.0	223.0	325.0	5.28 kg	812914501
45°	139.7 mm	2.0 mm	550.0	150.0	350.0	5.50 kg	813914501
45°	154.0 mm	2.0 mm	650.0	250.0	380.0	6.98 kg	815414501
45°	204.0 mm	2.0 mm	at request				820414501
45°	206.0 mm	3.0 mm	at request				820614501

**Branch pipes up to diameter 254.0 mm - at request**

# HVA NIRO® Stainless steel branch pipes

## Short version for coupling stations



### HVA NIRO® Stainless steel branch pipes 45°

Diameter	A	B	C	Article number
40.0 x 1.5 mm	235.0 mm	100.0 mm	135.0 mm	<b>8040145KU-9</b>
45.0 x 1.5 mm	240.5 mm	88.7 mm	140.0 mm	<b>8045145KU-9</b>
50.0 x 1.5 mm	240.5 mm	88.7 mm	140.0 mm	<b>8050145KU-9</b>
60.3 x 2.0 mm	250.0 mm	100.0 mm	222.0 mm	<b>8060145KU-9</b>
60.3 x 1.5 mm	250.0 mm	100.0 mm	222.0 mm	<b>8060145KU/1-9</b>

## Glass branch pipes

- Material: Borosilicate glass 3.3
- With glued copper earthing strip
- Edge distance of the copper earthing strip 50 mm

