

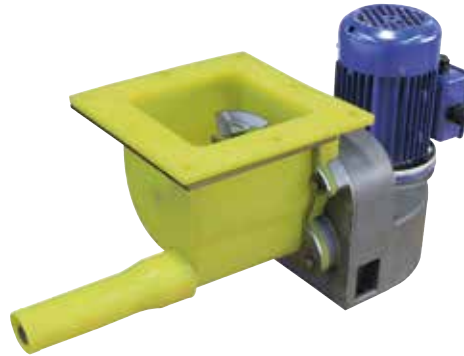
THE MOST VERSATILE AND ECONOMIC SOLUTION IN BULK SOLIDS FEEDING AND METERING

The MBH Micro-batch Feeder for continuous volumetric feeding of powdery or granular materials consists of a body entirely manufactured from 316 stainless steel or SINT® engineering polymer, a horizontally mounted rotating blending tool, a feeder screw beneath the blending tool, a feed pipe enclosing the protruding feeder screw, as well as a drive unit.

High-performance MBH Micro-batch Feeders have been successfully operating in the following industries: food, building, plastics, chemicals, packaging and environmental technology.



standard version in 316 SS

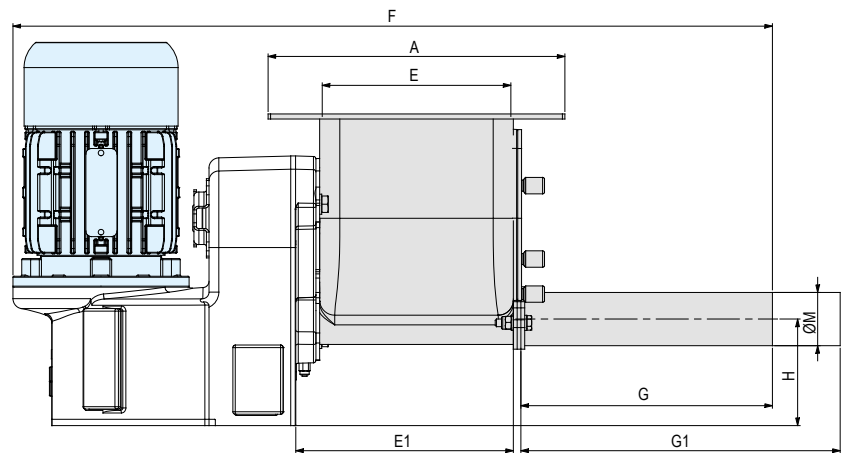
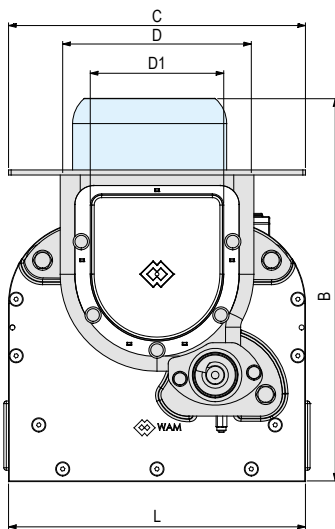


with SINT™ engineering polymer
body and feed pipe



food-grade model with ATEX
and EC 1935/2004 certification

Overall Dimensions



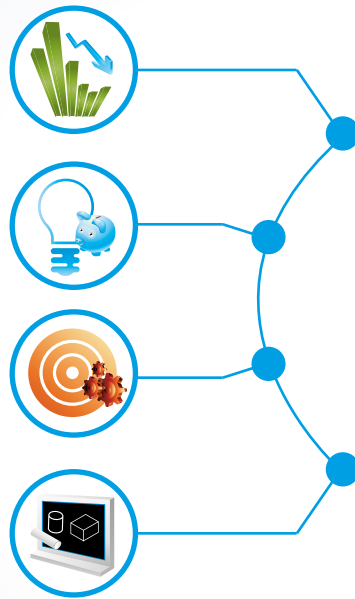
MODEL	A	B	C	D	D1	E	E1	F	G	G1	H	L	M	N	dm ³	kg
MBH 026	235	305	235	150	105	150	175	600	200	370	85	235	27.0	12.5	3.5	23
MBH 042	235	340	235	150	105	150	175	600	200	370	85	235	42.5	12.5	3.5	23
MBH 060 *	310	350	310	225	170	225	250	790	250	500	110	310	60.5	12.5	11.5	35
MBH 076 *	310	350	310	225	170	225	250	790	250	500	110	310	76.0	12.5	11.5	35

* under development

Dimensions in mm

Benefits

- Minimum residue
- Low energy consumption
- High accuracy
- Easy to clean thanks to ergonomic design



**HIGH
ACCURACY
FEEDING**



Technical Features

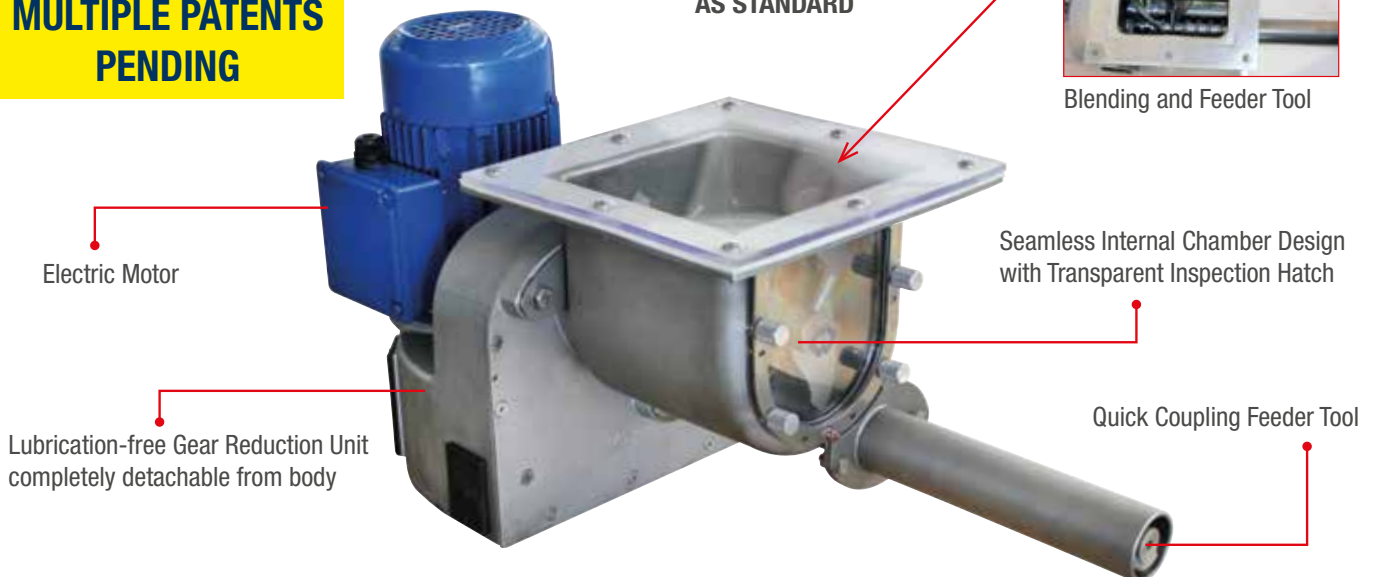
- **Sturdy, compact system** with contact surfaces manufactured from selected materials
- **Easy removal** of parts in contact with the product
- **Interchangeability** of standard components and accessories within the WAMGROUP® product range

EXTRA FEEDER TOOL KIT INCLUDED
AS STANDARD

**MULTIPLE PATENTS
PENDING**



Blending and Feeder Tool



Electric Motor

Lubrication-free Gear Reduction Unit
completely detachable from body

Seamless Internal Chamber Design
with Transparent Inspection Hatch

Quick Coupling Feeder Tool

Accessories

- Platform scales



- Vertical feeder outlet



- Feed hoppers



