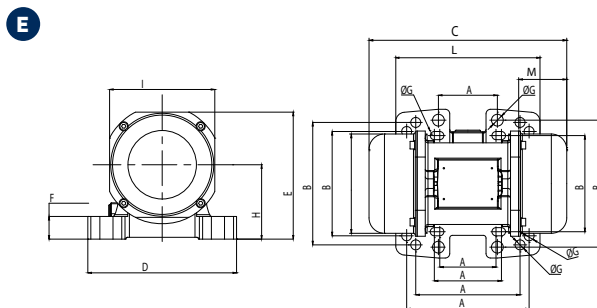
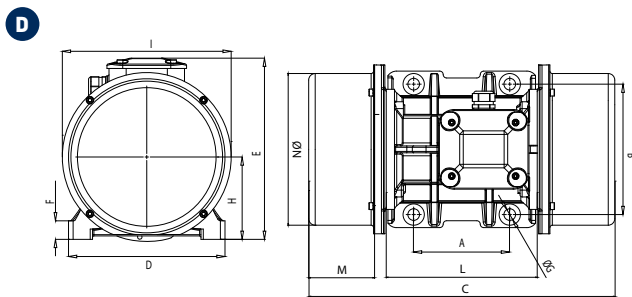
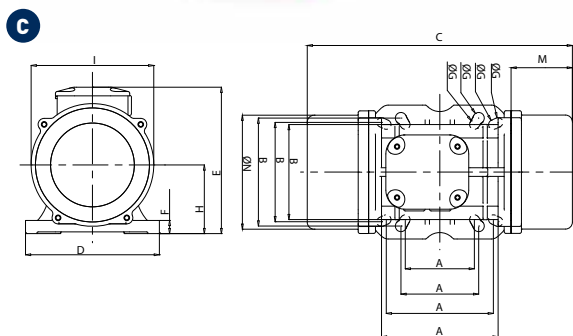
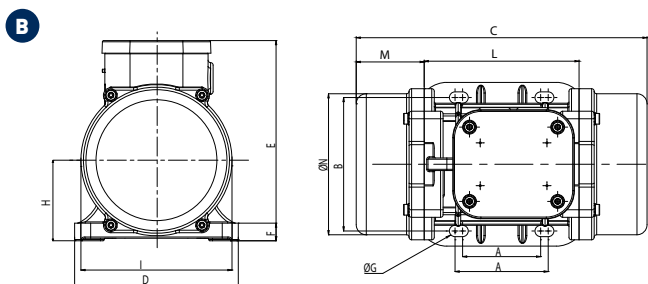
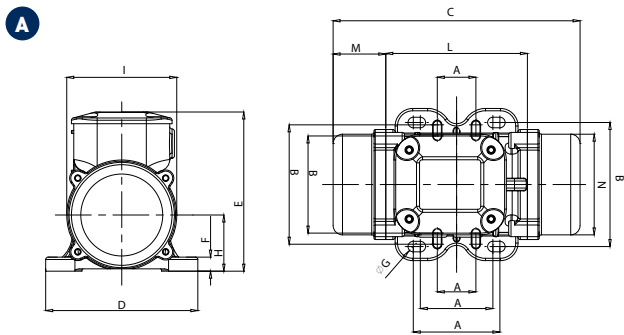




# MVE - Electric vibrators - 2 pole single or 3 phase



3 PHASE		1 PHASE		Drawing	Size	OVERALL DIMENSIONS										Weight																
50 / 60 Hz	U.S. Market 60 Hz	50 / 60 Hz	60 Hz			c		m		a		b		Ø g		Holes		d	e	f	h	i	l	n	kg	lb						
mm	in	mm	in			mm	in	mm	in	mm	in	mm	in	mm	in	mm	in	mm	in	mm	in	mm	in	mm	in	mm	in					
MVE 60/3	MVE 160/2	MVE 60/3M	MVE 100/3M	A	10	211	8.31	45	1.77	62-74	2.44-2.91	106	4.17	9	0.35	4	130	5.12	136	5.35	12	0.47	48	1.89	94	3.70	121	4.76	85	3.35	4.2	9.3
MVE 100/3	MVE 220/2	MVE 100/3M	MVE 200/3M	B	20	231	9.09	54	2.13	62-74	2.44-2.91	106	4.17	9	0.35	4	131	5.16	159	6.26	15	0.59	64	2.52	121	4.76	123	4.84	112	4.41	7.0	15.4
MVE 202/3	MVE 444/2	MVE 202/3M	MVE 300/3M	E	23	218	8.58	53	2.09	62-74	2.44-2.91	106	4.17	9	0.35	4	164	6.46	140	5.51	25	0.98	82	3.23	116	4.57	159	6.26	110	4.33	7.2	15.9
MVE 300/3	MVE 690/2	MVE 300/3M	-	C	30	253	9.96	45	1.77	65	2.56	140	5.51	13	0.51	4	154	6.06	175	6.89	15	0.59	79	3.11	142	5.59	163	6.42	131	5.16	9.8	21.6
MVE 400/3	MVE 890/2	-	-	C	30	273	10.75	55	2.17	80	3.15	110	4.33	11	0.43	4	154	6.06	175	6.89	15	0.59	79	3.11	142	5.59	163	6.42	131	5.16	10.3	22.7
MVE 500/3	MVE 1200/2	-	-	D	40	334	13.15	78	3.07	90	3.54	125	4.92	13	0.51	4	168	6.61	196	7.72	22	0.87	92	3.62	169	6.65	178	7.01	158	6.22	15.8	34.8
MVE 700/3	MVE 1700/2	-	-	D	40	334	13.15	78	3.07	105	4.13	140	5.51	13	0.51	4	168	6.61	196	7.72	22	0.87	92	3.62	169	6.65	178	7.01	158	6.22	16.5	36.4
MVE 800/3	MVE 1800/2	-	-	D	50	321	12.64	58	2.28	124	4.88	110	4.33	11	0.43	4	208	8.19	210	8.27	22	0.87	94	3.70	180	7.09	205	8.07	170	6.69	20.6	45.4

This information is furnished without warranty, representation, inducement or license of any kind. It is accurate to the best OLI knowledge or is obtained from sources believed to be accurate. OLI therefore assumes no legal responsibility.



# MVE - Electric vibrators - 2 pole single or 3 phase

## MVE 3 Phase

3 PHASE		MECHANICAL FEATURES										ELECTRIC FEATURES														
		Working moment [*]				FC						Power				Current		Power Factor		Ia/In		ClassII Div.2	II 2D	Cable Type		Cable Gland
		kg*cm		in*lb		kg		lb				kW		hp		A max (Y)		50Hz	60Hz	50Hz	60Hz	Temp. Class T	Temp. Class (°C)	Class Temp.	U.S. Market Type	
		50Hz	60Hz	50Hz	60Hz	50Hz	60Hz	50Hz	60Hz	50Hz	60Hz	50Hz	60Hz	50Hz	60Hz	400V	460V									50Hz
Model 50 /60 Hz	U.S. Market 60 Hz																									
MVE 60/3	MVE 160/2	1.3	0.9	1.1	0.9	66	71	145.5	156.5	0.08	0.09	0.11	0.12	0.16	0.18	0.74	0.82	3	3	T4	100	4G1.5	18-4c	M16	80°C	80°C
MVE 100/3	MVE 220/2	1.9	1.3	1.7	1.1	98	95	216	209.4	0.1	0.11	0.13	0.15	0.19	0.18	0.76	0.85	3	3	T4	100	4G1.5	18-4c	M16	80°C	80°C
MVE 200/3	MVE 440/2	3.7	2.6	3.2	2.3	187	189	412.3	416.7	0.18	0.21	0.24	0.28	0.35	0.35	0.78	0.87	3.3	3.30	T4	100	4G2.5	16-4c	M20	80°C	80°C
MVE 202/3	MVE 444/2	3.7	2.6	3.2	2.3	187	189	412.3	416.7	0.18	0.21	0.24	0.28	0.35	0.35	0.78	0.87	3.3	3.30	T4	100	4G2.5	16-4c	M20	80°C	80°C
MVE 300/3	MVE 690/2	6.4	4.5	5.5	3.9	321	323	708	712.1	0.27	0.28	0.36	0.38	0.52	0.45	0.84	0.89	3.60	3.50	T4	100	4G2.5	16-4c	M20	80°C	80°C
MVE 400/3	MVE 890/2	7.9	5.7	6.9	4.9	407	411	897	906.1	0.30	0.36	0.40	0.48	0.58	0.60	0.88	0.88	3.50	3.50	T4	100	4G2.5	16-4c	M20	80°C	80°C
MVE 500/3	MVE 1200/2	10.3	7.4	8.9	6.4	530	534	1168.4	1177.3	0.50	0.58	0.67	0.78	0.96	0.97	0.84	0.87	4.00	4.20	T4	100	4G2.5	16-4c	M20	80°C	80°C
MVE 700/3	MVE 1700/2	14.9	10.6	12.9	9.2	758	765	1671.1	1686.5	0.66	0.75	0.89	1.01	1.25	1.24	0.83	0.88	4.30	5.00	T4	100	4G2.5	16-4c	M20	80°C	80°C
MVE 800/3	MVE 1800/2	15.7	11.1	13.6	9.6	794	800	1750.5	1763.7	0.75	0.90	1.01	1.21	1.45	1.50	0.79	0.84	3.80	3.80	T4	100	4G2.5	16-4c	M20	80°C	80°C

## MVE Single Phase

50 Hz		60 Hz		MECHANICAL FEATURES										ELECTRIC FEATURES														
		U.S. Market		Working moment [*]				FC						POWER				CURRENT			CAPACITOR			ClassII Div.2	II 2D	Cable type		Cable gland
				kg*cm		in*lb		kg		lb				kW		hp		A max			µF			Temp. Class	Temp. Class	Class	U.S. Market	
				50Hz	60Hz	50Hz	60Hz	50Hz	60Hz	50Hz	60Hz	50Hz	60Hz	50Hz	60Hz	50Hz	60Hz	50Hz	60Hz	115V	220V	220V	115V					Temp. Class
				50Hz	60Hz	50Hz	60Hz	50Hz	60Hz	50Hz	60Hz	50Hz	60Hz	50Hz	60Hz	50Hz	60Hz	60Hz	50Hz	60Hz	60Hz	50Hz	60Hz	60Hz	T	(°C)	Temp.	
MVE 60/3M	MVE 60/36M	MVE 160/2M	1.3	1.0	1.1	0.9	66	71	145.5	156.5	0.08	0.09	0.11	0.12	0.43	0.43	1.03	3	3	6.3	T4	100	4G1.5	18-4c	M16	80°C	80°C	
MVE 100/3M	MVE 100/36M	MVE 220/2M	1.9	1.3	1.7	1.1	98	95	216.1	209.4	0.1	0.11	0.13	0.15	0.54	0.54	1.3	4	4	8	T4	100	4G1.5	18-4c	M16	80°C	80°C	
MVE 200/3M	MVE 200/36M	MVE 440/2M	3.7	2.6	3.2	2.3	187	189	412.3	416.7	0.18	0.21	0.24	0.28	1.14	1.14	2.62	8	8	16	T4	100	4G2.5	16-4c	M20	80°C	80°C	
MVE 202/3M	MVE 202/36M	MVE 444/2M	3.7	2.6	3.2	2.3	187	189	412.3	416.7	0.18	0.21	0.24	0.28	1.14	1.14	2.62	8	8	16	T4	100	4G2.5	16-4c	M20	80°C	80°C	
MVE 300/3M	MVE 300/36M	MVE 690/2M	6.4	4.4	5.5	3.9	321	323	707.7	712.1	0.27	0.28	0.36	0.38	1.58	1.58	3.43	12.5	12.5	25	T4	100	4G2.5	16-4c	M20	80°C	80°C	

### MVE - ELECTRIC VIBRATORS - 2 POLE SINGLE OR 3 PHASE

APPLICATION Hopper and silo - feeder - screen

POWDER Fine - dry granular

PROBLEM SOLVING Bridge and rat-holing

### FEATURES

DUTY CYCLE Discontinuous - s1

FREQUENCY RANGE From 20Hz to 60Hz [with inverter]

ENVIRONMENT TEMPERATURE From -20°C to 40°C (from -4°F to 104°F)

MAX NOISE LEVEL 76 dB(a)

ATEX II 3 D EX TD A22 TX IP 66

MATERIAL Body aluminium - aluminium (powder painted) cover

### OPTIONS

CAPACITOR Available

ATEX II 2 D EX T IIIC TX DB IP 66

CUSTOMIZED CABLE Available