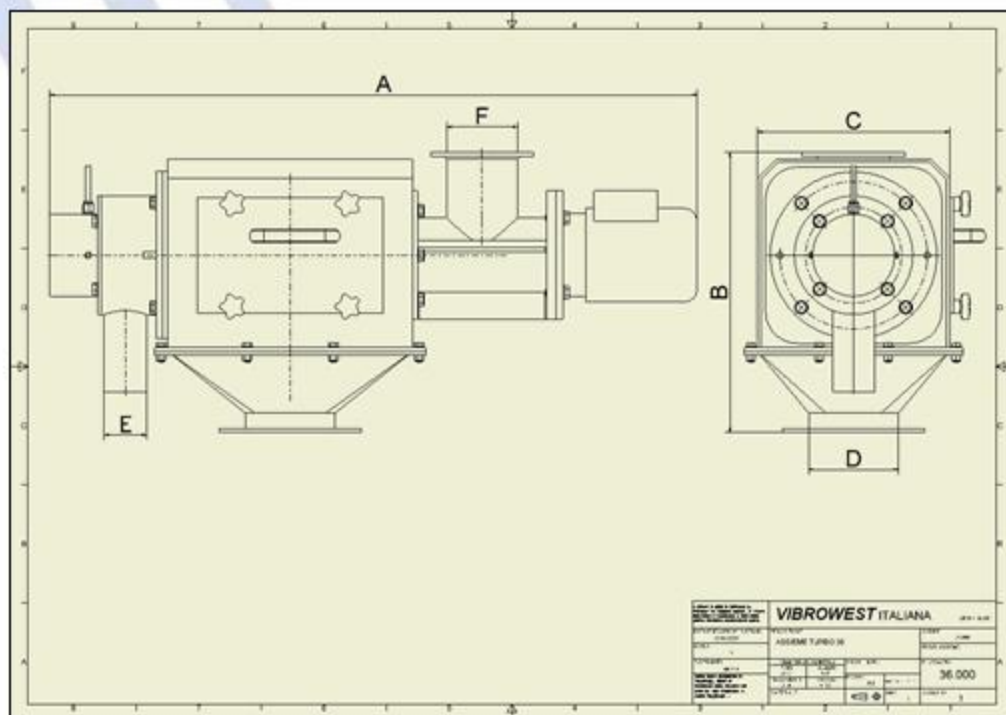



OPERATION

The product is fed into the sifter trough the inlet and the screw provides the feeding into the sifting chamber, where the product is collected and distributed along the sifting surface by rotating paddles or brushes, which pulls the product through the screen. Feeding must be continuous and regular, avoiding any overfeeding where the fine would be discharged together with the coarse. The fines will be collected in the central outlet connectable to any piping system. The coarse will be discharged through the side outlet.


APPLICATIONS

TURBOWEST centrifugal sifter can grant you:

- Control sieving
- Classifying
- Conditioning of bulk materials
- Homogenizing of mixtures
- Break down of friable lumps

PRODUCTS HANDLED

Phosphates, Salt, Gypsum, Talc, Casein, Milk powder, Dehydrated vegetables, Deyes, Pigments, Cocoa, Detergent powders.
Insecticides, Pesticides, Fer tilizers, Resins, PVC, Powder Coatings, Pharmaceuticals, Sugar, Plastics chips, and so on.

DIMENSIONI D'INGOMBRO / OVERALL DIMENSIONS

	A	B	C	ø D	ø E	F
24	880	350	240	120	50	104
36	1010	426	300	140	60	104
45	1390	650	405	240	144	174
65	1680	700	405	240	144	174
80	1994	950	540	300	144	212