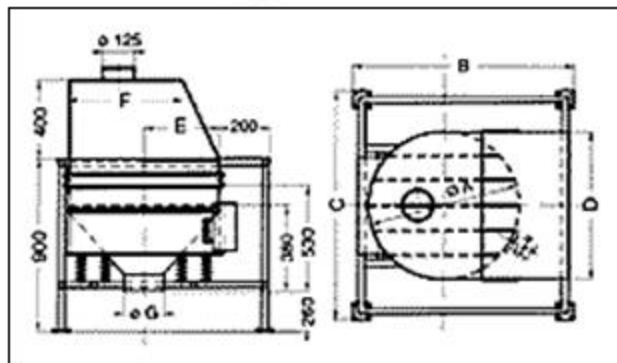


MSCR - MANUAL BAG DUMPING UNIT WITH INTEGRATED CONTROL VIBRATING SCREEN

Suitable for industrial branches like
chemical, food, pharma, plastics,
animal feed, cannery



- Hood for dust extraction.
- Bag supporting grid and meshing easy to be disassembled for a good and quick cleaning.
- Available in three models of 600 – 900 and 1200 mm diameter.
- Parts in touch with the product made from AISI 304 – 316 stainless steel or painted carbon steel.
- compact construction
- easy to be installed and noiseless running

OVERALL DIMENSIONS

MODELLO	A	B	C	D	E	F	G
MSCR 24"	610	850	890	614	305	460	160
MSCR 36"	862	1200	1250	866	430	640	160
MSCR 48"	1162	1620	1680	1166	580	860	200

* Le misure sono da ritenersi indicative